

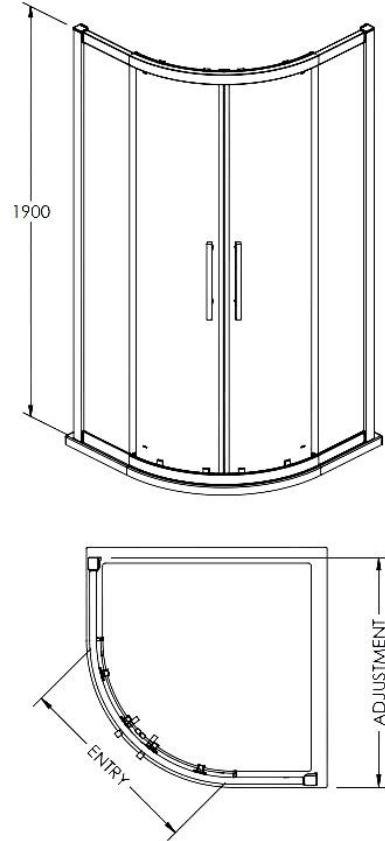
CUSTOMER DATA SHEET - ENCLOSURES

SALES CODE: M900Q-E8

DESCRIPTION: 900 Double Door Quad 8mm



Apex Quadrant Enclosure



PRODUCT DIMENSIONS

Height (mm)	Width (mm)	Depth (mm)	Nett Wgt Kg
1900	880	880	59.7

PACKAGING DIMENSIONS

Height (mm)	Width (mm)	Length (mm)	Gross Wgt Kg
1960	430	150	59.7

PACKAGING DATA

Box Colour	Brown Cardboard Box - Printed		
Box Qty	1	Label Colour	Not Applicable
Label Size	100 x 50	Label Qty	0

OUTER BOX DIMENSIONS (If Applicable)

Height (mm)	Width (mm)	Depth (mm)	Length (mm)	Gross Wgt Kg
Barcode	5055369080526			

PRODUCT DETAILS

Country of Origin	China
Fitting Instruction	Yes
Profile Material	Aluminium
Adjustments (mm)	860mm - 880mm
Swing In Dim (mm)	N/A
Radius (mm)	538 mm
Easy Fit	Yes
Handle Style	Square T Shape Handle
Enclosure Design	Framed
Support Bar Inc'	Support Bar Not Included

CE Approval	Yes
Profile Finish	Polished Chrome
Entry Width (mm)	520mm
Swing Out Dim (mm)	N/A
Glass Thickness (mm)	8
Easy Clean	Yes
Handle Material	Metal
Wheel Type	Chrome, Dual, Quick Release
Extras	Screw Cover Strip