

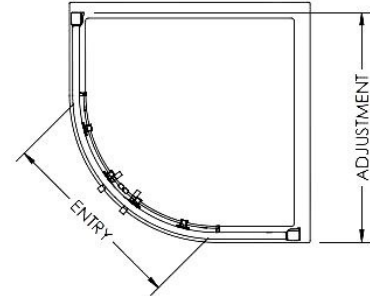
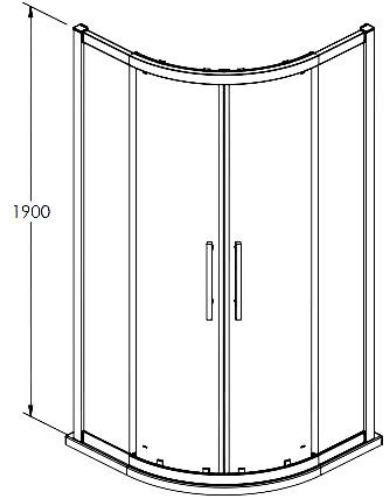
CUSTOMER DATA SHEET - ENCLOSURES

SALES CODE: M1000Q-E8

DESCRIPTION: 1000 Double Door Quad 8mm



Apex Quadrant Enclosure



PRODUCT DIMENSIONS

| Height (mm) | Width (mm) | Depth (mm) | Nett Wgt Kg |
|-------------|------------|------------|-------------|
| 1900 | 980 | 980 | 67 |

PACKAGING DIMENSIONS

| Height (mm) | Width (mm) | Length (mm) | Gross Wgt Kg |
|-------------|------------|-------------|--------------|
| 1960 | 540 | 150 | 67 |

PACKAGING DATA

| | | | |
|------------|-------------------------------|--------------|----------------|
| Box Colour | Brown Cardboard Box - Printed | | |
| Box Qty | 1 | Label Colour | Not Applicable |
| Label Size | 100 x 50 | Label Qty | 0 |

OUTER BOX DIMENSIONS (If Applicable)

| Height (mm) | Width (mm) | Depth (mm) | Length (mm) | Gross Wgt Kg |
|-------------|---------------|------------|-------------|--------------|
| | | | | |
| Barcode | 5055369080533 | | | |

PRODUCT DETAILS

| | |
|---------------------|--------------------------|
| Country of Origin | China |
| Fitting Instruction | Yes |
| Profile Material | Aluminium |
| Adjustments (mm) | 960mm - 980mm |
| Swing In Dim (mm) | N/A |
| Radius (mm) | 538 mm |
| Easy Fit | Yes |
| Handle Style | Square T Shape Handle |
| Enclosure Design | Framed |
| Support Bar Inc' | Support Bar Not Included |

| | |
|----------------------|-----------------------------|
| CE Approval | Yes |
| Profile Finish | Polished Chrome |
| Entry Width (mm) | 520mm |
| Swing Out Dim (mm) | N/A |
| Glass Thickness (mm) | 8 |
| Easy Clean | Yes |
| Handle Material | Metal |
| Wheel Type | Chrome, Dual, Quick Release |
| Extras | Screw Cover Strip |