

Shower Seat

Installation Instructions

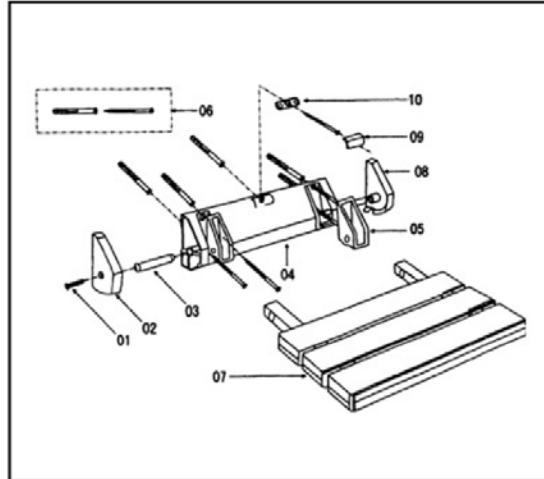
Please read these Installation Instructions before installing this product to prevent installation and /or in use problems.

Parts List

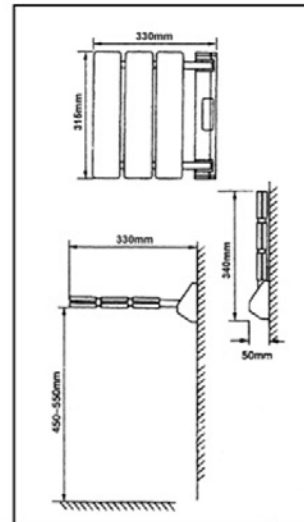
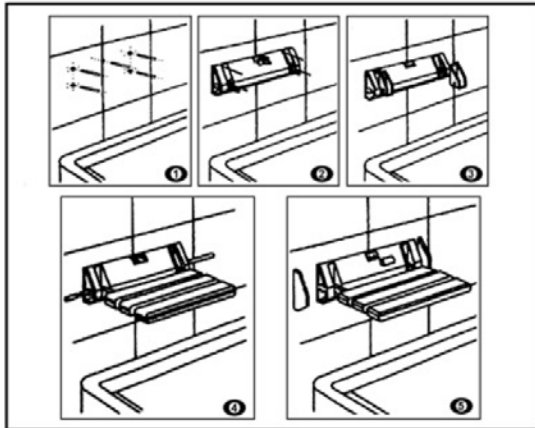
O1	Countersunk Screw	2
O2	Left End Cover	1
O3	Stainless Steel Pin	2
O4	Wall Bracket	1
O5	Bracket Insert	2
O6	Wall Fixings (5 Required)	
O7	Seat	1
O8	Right End Cover	1
O9	Centre Cover	1
O10	Centre Cover Fixing Clip	1

Note

- [1] Wall Fixings should be selected by the installer and be suitable for the installation type.



Installation Steps



- 1 Position the Wall Bracket [O4] onto the wall at the desired height (recommended height is 450 to 550mm) and mark fixing hole position onto the wall. Drill holes to suit your selected wall fixings and insert the wall plugs.
- 2 Reposition the Wall Bracket [O4] and fix to the wall using your 5 screws. Before fitting the middle screw position the Centre Cover Fixing Clip [O10].
- 3 Push the two Bracket Inserts [O5] into the Wall Bracket [O4]
- 4 Assemble the Seat [O7] into the Bracket Inserts [O5] and insert the two stainless steel pins [O3], one from each side, ensuring that you insert the chamfered end first.
- 5 Position and fix the two End Covers [O2 & O8] using the two screws [O1] provided. Push into position the Centre Cover [O9] onto the Centre Cover Fixing Clip [O10].

The Safe Working Load for your Shower Seat is 130Kgs. Do not exceed this weight.