

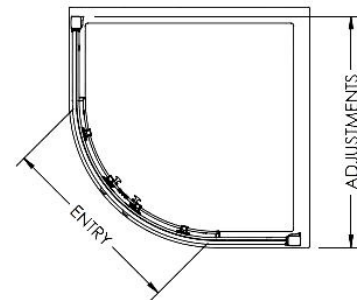
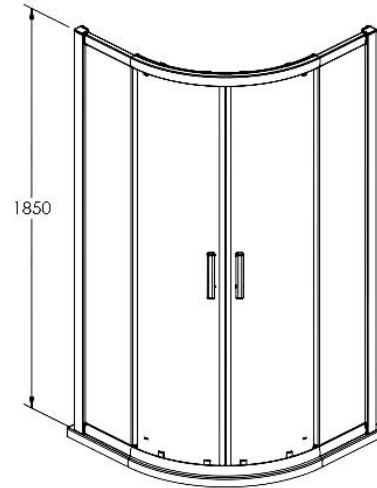
## CUSTOMER DATA SHEET - ENCLOSURES

SALES CODE: AQU8

DESCRIPTION: Pacific Quadrant Enclosure 800X800mm



Pacific Quadrant Enclosure



### PRODUCT DIMENSIONS

Height (mm)	Width (mm)	Depth (mm)	Nett Wgt Kg
1850	780	780	39

### PACKAGING DIMENSIONS

Height (mm)	Width (mm)	Length (mm)	Gross Wgt Kg
1900	430	150	39

### PACKAGING DATA

Box Colour	Brown Cardboard Box - Printed		
Box Qty	1	Label Colour	Not Applicable
Label Size	100 x 50	Label Qty	0

### OUTER BOX DIMENSIONS (If Applicable)

Height (mm)	Width (mm)	Depth (mm)	Length (mm)	Gross Wgt Kg
Barcode	5055369080052			

### PRODUCT DETAILS

Country of Origin	China	CE Approval	Yes
Fitting Instruction	Yes	Profile Finish	Polished Chrome
Profile Material	Aluminium	Entry Width (mm)	380mm
Adjustments (mm)	760mm - 780mm	Swing Out Dim (mm)	N/A
Swing In Dim (mm)	N/A	Glass Thickness (mm)	6
Radius (mm)	538 mm	Easy Clean	No
Easy Fit	Yes	Handle Material	Metal
Handle Style	Square T Shape Handle	Wheel Type	Chrome, Dual, Quick Release
Enclosure Design	Framed	Extras	None
Support Bar Inc'	Support Bar Not Included		