

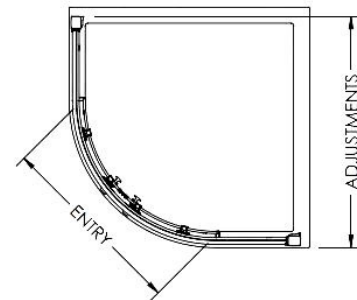
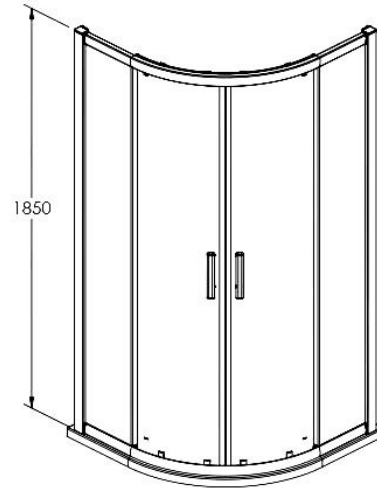
CUSTOMER DATA SHEET - ENCLOSURES

SALES CODE: AQU9

DESCRIPTION: Pacific Quadrant Enclosure 900X900mm



Pacific Quadrant Enclosure



PRODUCT DIMENSIONS

Height (mm)	Width (mm)	Depth (mm)	Nett Wgt Kg
1850	880	880	44.8

PACKAGING DIMENSIONS

Height (mm)	Width (mm)	Length (mm)	Gross Wgt Kg
1910	430	150	44.8

PACKAGING DATA

Box Colour	Brown Cardboard Box - Printed		
Box Qty	1	Label Colour	Not Applicable
Label Size	100 x 50	Label Qty	0

OUTER BOX DIMENSIONS (If Applicable)

Height (mm)	Width (mm)	Depth (mm)	Length (mm)	Gross Wgt Kg
Barcode	5055369080069			

PRODUCT DETAILS

Country of Origin	China	CE Approval	Yes
Fitting Instruction	Yes	Profile Finish	Polished Chrome
Profile Material	Aluminium	Entry Width (mm)	520mm
Adjustments (mm)	860mm - 880mm	Swing Out Dim (mm)	N/A
Swing In Dim (mm)	N/A	Glass Thickness (mm)	6
Radius (mm)	538 mm	Easy Clean	No
Easy Fit	Yes	Handle Material	Metal
Handle Style	Square T Shape Handle	Wheel Type	Chrome, Dual, Quick Release
Enclosure Design	Framed	Extras	None
Support Bar Inc'	Support Bar Not Included		